



schmidt
a brand of aebi schmidt

eStratos 1.7 - 3.0 m³

Spreader



The eStratos 1,7 - 3,0 m³ is an innovative and sustainable spreader that has been specially developed for winter maintenance of small areas as well as municipal, country and national roads. With a combination of advanced high-tech electric drive technology and proven hydraulic technology, the eStratos offers a reliable and efficient solution for winter service. The standard battery capacity allows operation with two full hoppers, making it particularly powerful and environmentally friendly.

Highlights

- **Lithium-ion battery technology with integrated heating system**, specially developed for use at low temperatures.
- The standard battery capacity enables **spreading operations with two full hoppers** without recharging.
- **Integrated charger**: Only requires a 230 V AC connection, no separate installation required at the depot.
- Proven technology with **reliable hydraulics** and **high-tech electrical engineering**.

Your benefits

- **Sustainability**: The eStratos operates almost silently and is emission-free.
- **Powerful**: The eStratos delivers full power without affecting the energy consumption of the carrier vehicle.
- **Retrofittability**: This technology is suitable for retrofitting and converts existing spreaders into completely emission-free electric spreaders.
- **Easy maintenance**: The safe 48 V DC system enables maintenance work to be carried out without special training or special safety measures.

We know how important it is that your machines and equipment are always ready to deploy. **Get in touch with us** about our range of tailored services and original spare parts.



Performance features

Sustainable electric drive

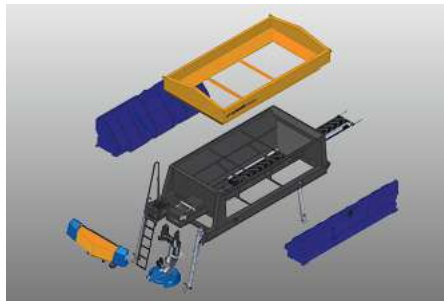
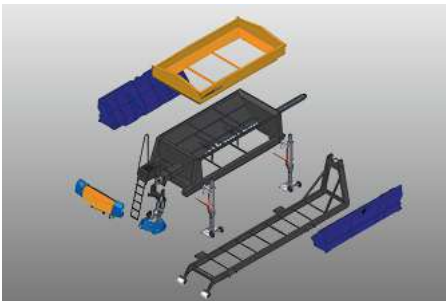
The eStratos is equipped with a front-mounted battery pack (6.2 / 12.4 / 18.6 kWh, 48 V) and an electric motor. The powerful batteries enable two spreading operations with two full hoppers each without recharging. Thanks to the integrated charger, the eStratos can be charged at any 230 V AC connection. The lithium-ion battery technology with integrated heating system is specially designed for use in temperatures down to -20°C. Thanks to the use of hydraulic technology, the eStratos achieves the same performance as conventional hydraulic machines. It retains its full performance and is not affected by the limited power of the carrier vehicle. When used on an electric carrier vehicle, the range of the carrier vehicle remains unchanged. Compared to a motorised spreader, the eStratos is significantly quieter. In addition, the safe 48 V DC system can be maintained without special training or safety measures.



Mounting and demounting systems

Each of the spreaders can be equipped with one of three mounting and demounting systems:

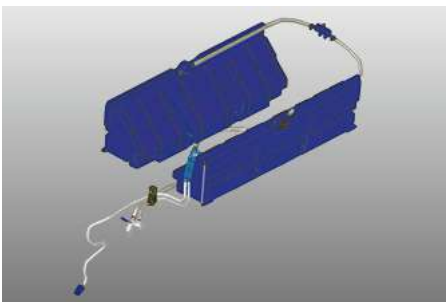
- Base frame for demounting legs or fixed mounting
- RoRo (roll on - roll off) system suitable for full demounting



Dosage and conveyor systems

Pre-wet equipment

The spreader is equipped with laterally-arranged brine tanks with a liquid level indicator and a brine pump with run-dry protection, while a rear-side Storz C connection is available for filling and emptying the brine tanks. The suction point is located in the middle of the tank, which makes operation in inhospitable mountainous regions possible without problem. When switching on the brine, the dry material is automatically reduced and the distribution system settings are optimised in accordance with the change in composition of the de-icing agent. The system achieves a high level of accuracy, thanks to integrated sensors for comparison of the actual versus the target value of the control loops.



Distribution systems

The highly developed premium mixing system of the Stratos series 4 - 12 m³ is also used here. The best possible material flow is ensured by a polyethylene discharge chute and an optimised outlet angle. The spreading material hits the spreading disc centrally and is optimally distributed until it is discharged. This creates a homogeneous mixture, which is dynamically discharged as a bundled ejection jet in such a way that the effects of the wind are compensated for as much as possible.

The swivelling technology of the spreading disc enables the symmetrical or asymmetrical spreading pattern to be adjusted manually or electronically via the control panel. Thanks to this technology, the size of the spreading area is maintained, with a precisely defined spreading pattern and a spreading width of 2 - 10 m or 3 - 12 m.

New in the range are the Premium PW50 spreading discs which allow a 2 - 6 m or 2 - 8 m width to be spread with an PW50 mix.



Control and information systems

The Schmidt EvolutionLine comprises two different operating concepts that make work easier and more efficient. Thanks to this sophisticated control technology, the driver can control all functions conveniently from the cab and thus react directly to changing road conditions. Depending on the equipment level, temperature-dependent dosing is available with ThermoLogic or routes can be planned in advance via Route Assistant.

If you want to monitor, plan, control in real time, optimise or, for example, bill third parties for the activities of your Stratos, then use the digital solutions on our IntelliOPS platform. IntelliOPS supports you in the efficient use of your individual machine as well as in a network with several machines, including those of other brands. Here you can find out more about our digital solutions and how you can use them in a way that is modular and adapted to your needs.



Variants

Stratos 25



The eStratos 25 is a silo spreader with a hopper capacity of 2.5 m³.

Related products

Stratos 1.7 - 3.0 m³

Spreader



eStratos 4.0 - 9.0 m³

Spreader



eSyntos

Spreader





Trust in our many years of uniquely diverse experience. **Get in touch with us.** We'll find the right solution for your specific challenge.

Technical data

	eStratos 17	eStratos 20
Hopper		
Hopper capacity	1.7 m ³	2 m ³
Pre-wet equipment		
Tank capacity lateral tanks	850 l	850 / 1,090 l
Conveyor system		
Conveyor system	belt / Auger	belt / Auger
Distribution system		
Distribution systems	<p>Premium 5-zone mixing system: Spreading disc diameter: 490 mm Spreading width: 2 - 10 m</p> <p>Spreading disc: Premium 5-zone with PW50 Spreading disc diameter: 490 mm Spread. width: 2-10 m/PW50 2-6 m</p> <p>Premium 5-zone mixing system: Spreading disc diameter: 660 mm Spreading width: 3 - 12 m</p> <p>Premium 5-zone mixing system: Spreading disc diameter: 660 mm Spread. width: 3-12 m/PW50 2-8 m</p>	<p>Premium 5-zone mixing system: Spreading disc diameter: 490 mm Spreading width: 2 - 10 m</p> <p>Spreading disc: Premium 5-zone with PW50 Spreading disc diameter: 490 mm Spread. width: 2-10 m/PW50 2-6 m</p> <p>Premium 5-zone mixing system: Spreading disc diameter: 660 mm Spreading width: 3 - 12 m</p> <p>Premium 5-zone mixing system: Spreading disc diameter: 660 mm Spread. width: 3-12 m/PW50 2-8 m</p>
Mounting/demount system		
Mounting/demount system	Demount legs / Fixed-mounted	Demount legs / Fixed-mounted
Control system		
Control system	EC / EP / ES	EC / EP / ES
Dimensions		
Hopper length	1,900 mm	1,900 / 2,200 mm
Mounting length	2,485 / 2,785 mm	-
Hopper width	1,890 mm	1,890 mm
Frame width	1,600 mm	1,600 mm
Hopper height	1,270 mm	1,355 / 1,270 mm
Weights		
Empty weight approx.	820 kg	830 kg
Battery		
Battery technology	Lithium-Ion modules in IP6K7 enclosure Integrated electrical heater	Lithium-Ion modules in IP6K7 enclosure Integrated electrical heater
Total capacity	6.2 kWh / 48 V (option: 12.4 kWh / 48 V) (option: 18.6 kWh / 48 V)	6.2 kWh / 48 V (option: 12.4 kWh / 48 V) (option: 18.6 kWh / 48 V)
Operating temperature range	-20 - 45 °C	-20 - 45 °C
Operating time without re-charging	2 spreading actions with standard battery	2 spreading actions with standard battery
Charging time ca.	approx. 2 h / 6.2 kWh approx. 4 h / 12.4 kWh approx. 6 h / 18.6 kWh	approx. 2 h / 6.2 kWh approx. 4 h / 12.4 kWh approx. 6 h / 18.6 kWh
Charging system	230 V integrated charger on the machine	230 V integrated charger on the machine
Electro-hydraulic unit		
Power electric motor	11.7 kW / 48 V (variable speed)	11.7 kW / 48 V (variable speed)
Hydraulic system	110 bar / 32 l/min (integrated load sensing)	110 bar / 32 l/min (integrated load sensing)
	eStratos 25	eStratos 30
Hopper		
Hopper capacity	2.5 m ³	3 m ³
Pre-wet equipment		
Tank capacity lateral tanks	1,090 / 1,270 l	1,270 l
Conveyor system		
Conveyor system	belt / Auger	belt / Auger
Distribution system		

	eStratos 25	eStratos 30
Distribution systems	<p>Premium 5-zone mixing system: Spreading disc diameter: 490 mm Spreading width: 2 - 10 m</p> <p>Spreading disc: Premium 5-zone with PW50 Spreading disc diameter: 490 mm Spread. width: 2-10 m/PW50 2-6 m</p> <p>Premium 5-zone mixing system: Spreading disc diameter: 660 mm Spreading width: 3 - 12 m</p> <p>Premium 5-zone mixing system: Spreading disc diameter: 660 mm Spread. width: 3-12 m/PW50 2-8 m</p>	<p>Premium 5-zone mixing system: Spreading disc diameter: 490 mm Spreading width: 2 - 10 m</p> <p>Spreading disc: Premium 5-zone with PW50 Spreading disc diameter: 490 mm Spread. width: 2-10 m/PW50 2-6 m</p> <p>Premium 5-zone mixing system: Spreading disc diameter: 660 mm Spreading width: 3 - 12 m</p> <p>Premium 5-zone mixing system: Spreading disc diameter: 660 mm Spread. width: 3-12 m/PW50 2-8 m</p>
Mounting/demount system		
Mounting/demount system	Demount legs / Fixed-mounted / RoRo	Demount legs / Fixed-mounted / RoRo
Control system		
Control system	EC / EP / ES	EC / EP / ES
Dimensions		
Hopper length	2,200 / 2,500 mm	2,500 mm
Hopper width	1,890 mm	1,890 mm
Frame width	1,600 mm	1,600 mm
Hopper height	1,390 / 1,320 mm	1,425 mm
Weights		
Empty weight approx.	865 kg	900 kg
Battery		
Battery technology	Lithium-Ion modules in IP6K7 enclosure Integrated electrical heater	Lithium-Ion modules in IP6K7 enclosure Integrated electrical heater
Total capacity	6.2 kWh / 48 V (option: 12.4 kWh / 48 V) (option: 18.6 kWh / 48 V)	6.2 kWh / 48 V (option: 12.4 kWh / 48 V) (option: 18.6 kWh / 48 V)
Operating temperature range	-20 - 45 °C	-20 - 45 °C
Operating time without re-charging	2 spreading actions with standard battery	2 spreading actions with standard battery
Charging time ca.	approx. 2 h / 6.2 kWh approx. 4 h / 12.4 kWh approx. 6 h / 18.6 kWh	approx. 2 h / 6.2 kWh approx. 4 h / 12.4 kWh approx. 6 h / 18.6 kWh
Charging system	230 V integrated charger on the machine	230 V integrated charger on the machine
Electro-hydraulic unit		
Power electric motor	11.7 kW / 48 V (variable speed)	11.7 kW / 48 V (variable speed)
Hydraulic system	110 bar / 32 l/min (integrated load sensing)	110 bar / 32 l/min (integrated load sensing)