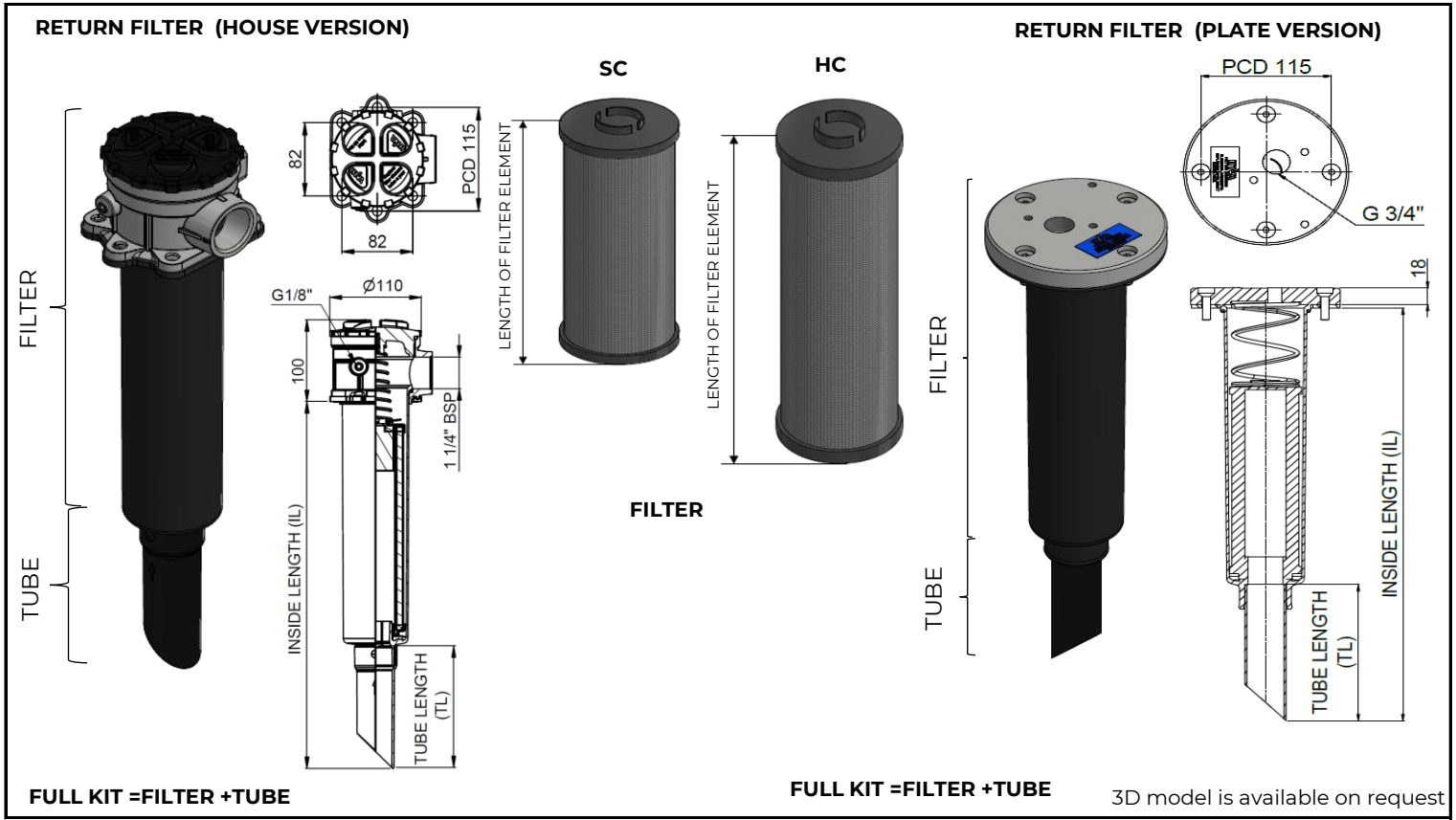


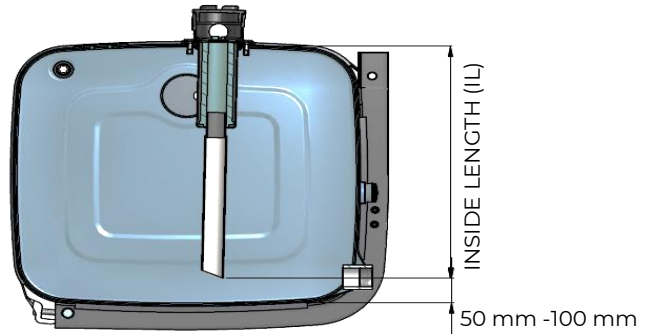
RETURN FILTER KIT (HOUSE & PLATE VERSION)



Specifications

Type	SC	HC	
Nominal flow (clean element)	150	250	L/min
Peak flow	300	375	L/min
By-pass pressure (-/+10%)	1.75	2.5	bar
Collapse pressure element	10	10	bar
Temperature range min/max	-40/+100	-40/+100	°C
Dirt holding capacity	25	37.4	g
Filter area	1730	2500	cm ²
Absolute filtration material size	25	25	mm
Length of filter element	207	314	mm

Filter Selection



Choose filter inside length (IL) in such a way that there is a distance of 50 mm to 100 mm between tank bottom surface and tube end.

Types & components

	IL (mm)	SC	HC	Full kit	Weight (Kg)	Bolt kit included*	Tube length (TL) (mm)
House version	224	•		14780306	1.2	No	Use Hose & Clamp
	326		•	14780305	1.4	Yes	Without Tube
	452	•		14780301	1.3	Yes	250
	460		•	14780331	1.5	Yes	150
	552	•		14780303	1.3	No	350
	560		•	14780333	1.5	Yes	250
	602	•		14780304	1.3	No	400
	610		•	14780334	1.5	Yes	300

*Note: Bolt kit contains: 4x Bolt M8 (part nr: 15013643) & 4x washer M8 (15022020).

	IL (mm)	SC	Full kit	Weight (Kg)	Tube length (TL) (mm)
Plate version	339	•	14895918	1.7	Without Tube
	465	•	14895919	1.8	150
	565	•	14895920	1.9	250
	665	•	14895921	2.0	350

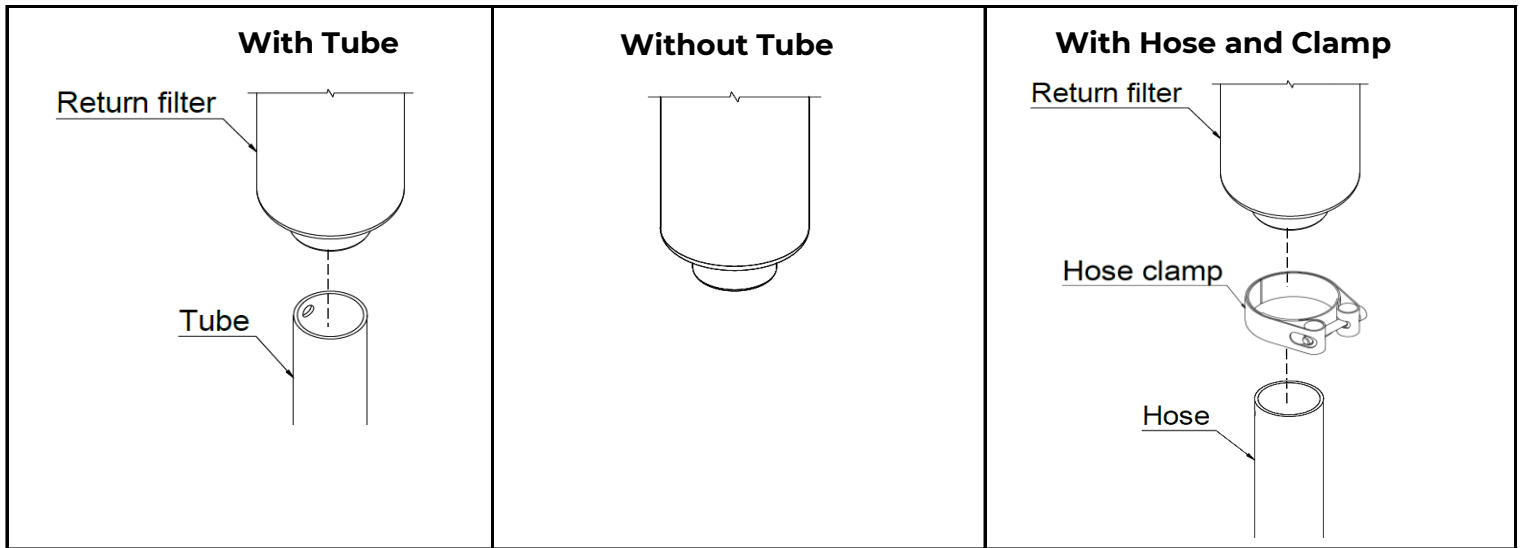
Note: Fasteners are always included with filter.

Related documentation

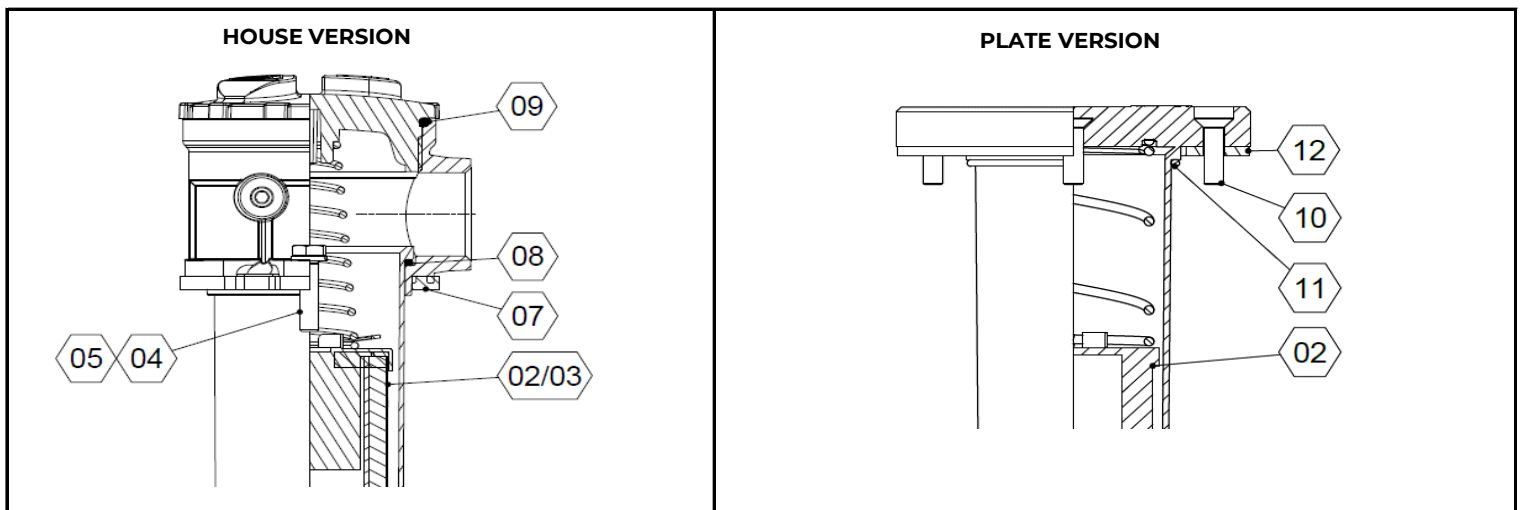
Change the filter element twice a year

Related documentation : FIL-0003

Tube mounting options



Spare parts



Housing version

No.	Description	Part No.	Qty.
02	Filter element - SC	14896991A	1
03	Filter element - HC	14896990	1
04	Hex. Bolt M8	15004010	2
05	Washer D8	15022020	2
-	Seal KIT (Parts 6,7 & 9)	14896951	-
06	Plastic Plug M8	14780318	2
07	Flat Seal	N/A	1
08	O-Ring	N/A	1
09	O-Ring	N/A	1

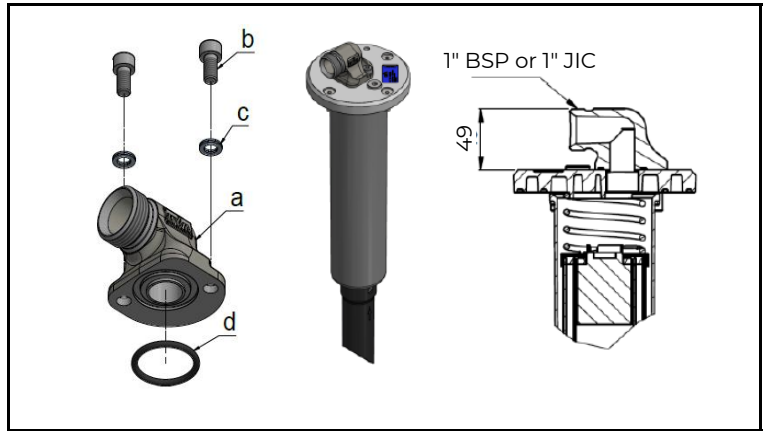
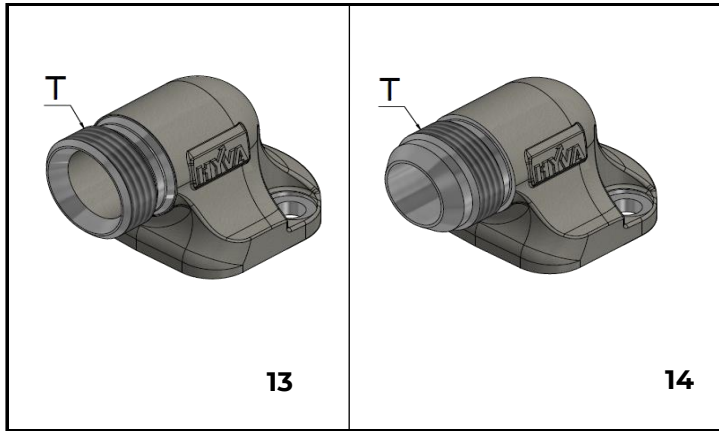
Note : Parts 06 - 09 are always included with filter. For fasteners and filter element, see table page 1.

Plate version

No.	Description	Part No.	Qty.
02	Filter element - SC	14896991A	1
10	Countersunk bolt M8	15012790	4
-	Seal Kit (Parts 11 & 12)	14896960	-
11	O-Ring	N/A	1
12	Flat seal	N/A	1

Note : All seals & fasteners (No. 02, 10, 11 & 12) are included with filter.

Option adapter kit for plate filter



No.	Part no.	Description	Thread size (T)	Qty
13	01317987	Adaptor kit 90 for return filter	1" BSPOTC	1
14	01317988	Adaptor kit 90 for return filter	1" JICOTC	1

No.	Description	Qty
a	Adaptor-90-elbow-1" BSPOTC	1
	Adaptor-90-elbow-1" JICOTC	
b	Bolt HSHC M8x16x1.25 DIN 912 ZP	2
c	Nord-lock washer M8	2
d	O-Ring 34.60x2.62	1

Note : O-rings, bolts & washers are included with adapter.

Hydraulic Symbol

